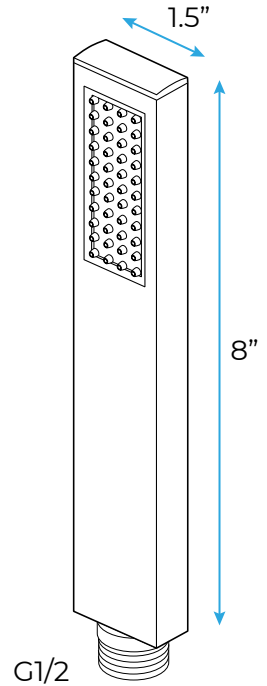


BRAVAT WALL MOUNTED ROUND SHOWER SET WITH VALVE MIXER 3-WAY CONCEALED & BODY JETS SPECIFICATIONS

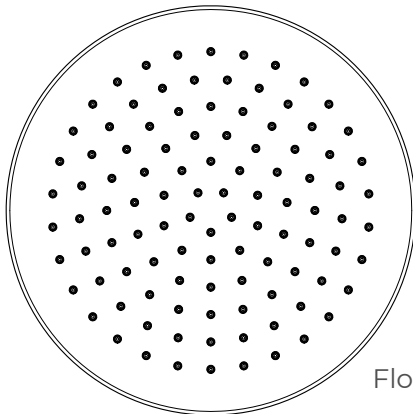


Hand Shower

The minimum required water pressure is 0.05 MPa (0.5 bar).
Flow rate 2.5 GPM (9.5 LPM).

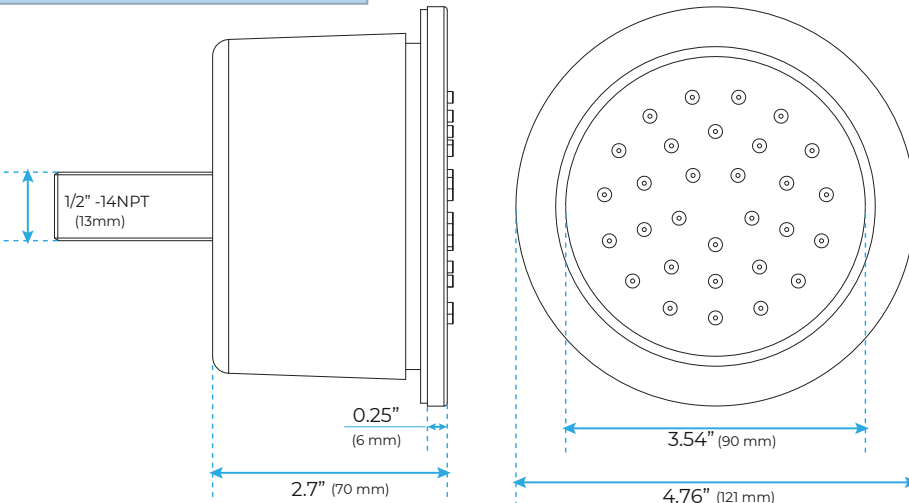


Shower Head



1/2" NPT inlets
Easy clean nozzles
Flow Rate: 9.5L/min 2.5 GPM

Body Jets



FEATURES

Material: Brass
Assembly Required: No
Base Plate Height: 4-3/4"
Base Plate Width: 4-3/4"

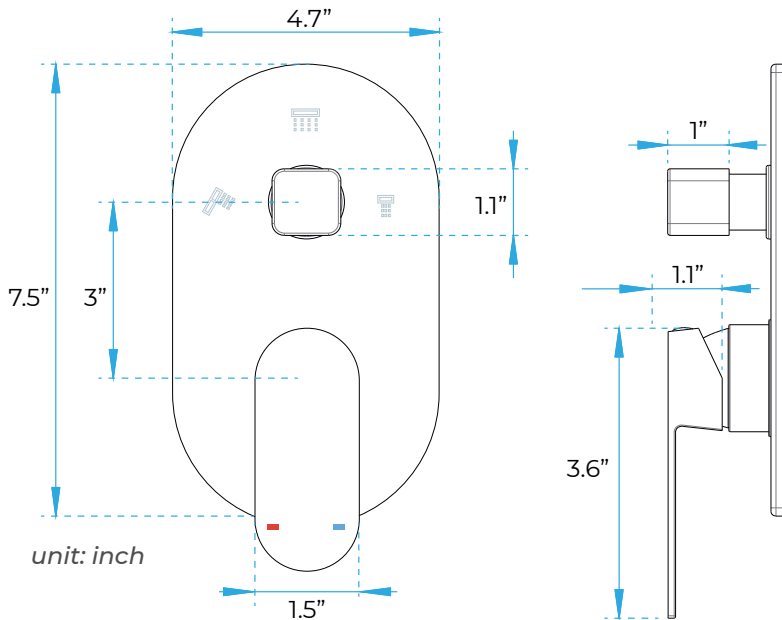
Jet Surface Area: 3-9/16"
Surface Depth: 1/4"
Adjustment Angle: 7°
Male NPT Connection: 1/2"
Maximum Flow Rate: 2.5 gpm (9.5L/min) max @ 80 psi

All dimensions and specifications are nominal and may vary. Use actual products for accuracy in critical situations.

Shower Mixer

This technical product information is exclusively for the installer or trained specialists.

Application: Operation with unpressurized storage heaters is not possible. Use for indoor public places and common residence.



Specifications

Flow pressure: min. 0.5 bar
recommended 1 – 5 bar

Operating pressure: max. 10 bar

Test pressure: 16 bar

Flow rate at 3 bar flow pressure

for bath: approx. 21.5 L/min

for shower: approx. 18 L/min

Hot water inlet temperature: max. 80°C

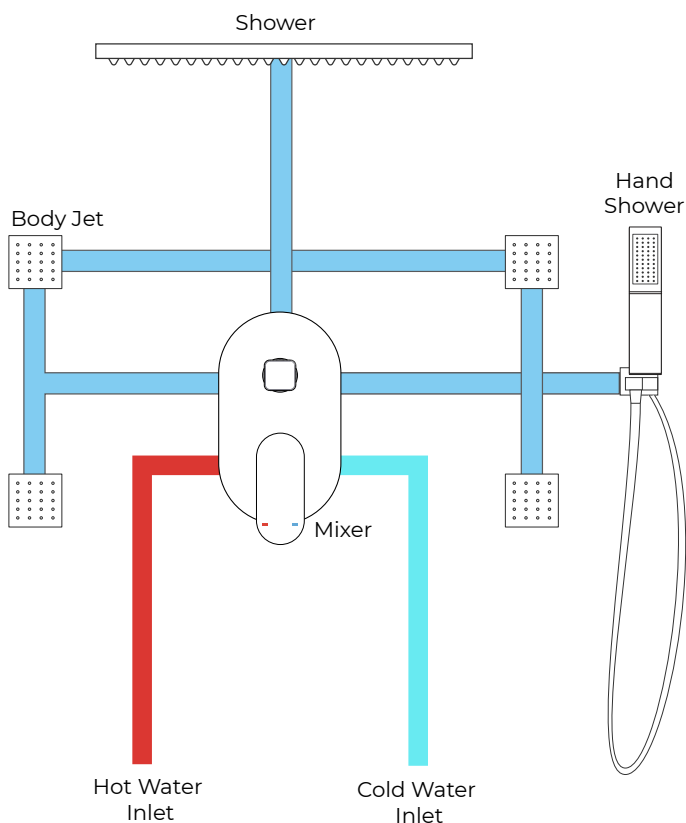
Recommended (energy saving): 60°C

Environment temperature: 5°C~45°C

If static pressure exceeds 5 bar, a pressure-reducing valve must be fitted.

Avoid major pressure differences between hot and cold water supply.

Shower Mixer Connections



Installation:

Flush piping system prior and after installation of fitting thoroughly!

Fitting a temperature limiter is possible.



Function:

Check connections for leaks and check function of fitting.

Flow is diverted automatically from shower outlet to bath inlet when the fitting is closed.



Maintenance:

Inspect and clean all components and replace if necessary.

Shut off water supply for maintenance work.



When installing the cartridge, ensure that the seals are correctly seated.

Tighten the screws evenly and alternately.